

# S-Series

Storage





## S-Series Storage

Style overview .....2

Features .....4

Styles:

Standard Pedestal .....6

Slim Pedestal .....8

Lateral File .....10

Bookcase .....12

Finish Colors .....14

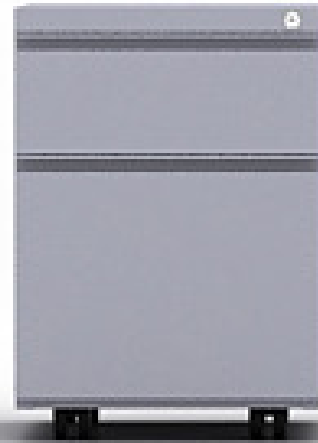
---

# S-Series Storage

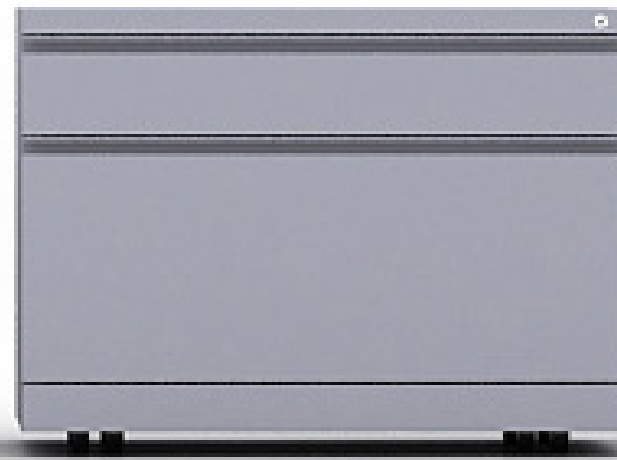
A variety of storage options offered in multiple finishes perfectly complete any space.



Slim Pedestal



Standard Pedestal



Lateral File



Bookcase



# Features

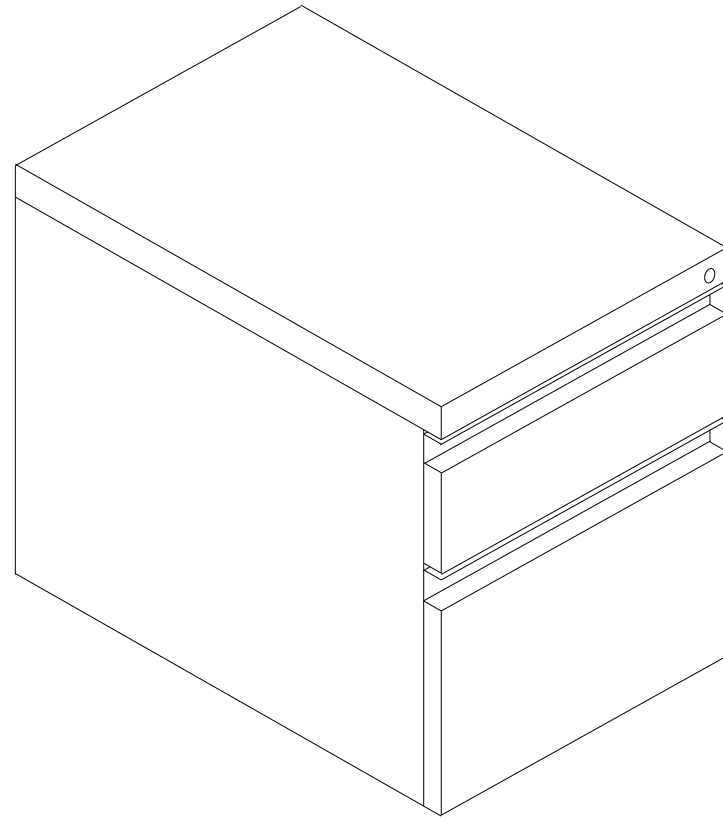
- White or Platinum finish
- Black also available for Mini Pedestal
- Powder coated
- 22 gauge steel
- Lateral and Book Shelf have 65 lb. storage weight capacity and glides
- Lateral and Book Shelf have glides, with 16mm Castors also available
- Box/File pedestals include pencil tray, box drawer divider, file hanger, anti-tip counter weight, locking castors, full extension ball bearing glides and removable lock core
- Seat cushions for 15" Box/File Pedestal available in 10 colors (220 lb. seated capacity)
- Seat cushions for 12" Slim Pedestal available in 10 colors (200 lb. seated capacity)

**Care & Maintenance Instructions**  
Wipe with a damp cloth using water or gentle, nonabrasive cleaner. For guaranteed safety, patch test with diluted cleaner before wiping entire surface. Wipe dry with a clean cloth.  
**Cushion:** Wipe lightly with a damp soapy cloth. Rinse with cold water and wipe dry with a clean cloth.

**Warranty**  
10 years, including parts.  
**Certifications**  
ANSI/BIFMA X5.5-2014

---

# Standard Pedestal



15"W x 23"D x 21"H



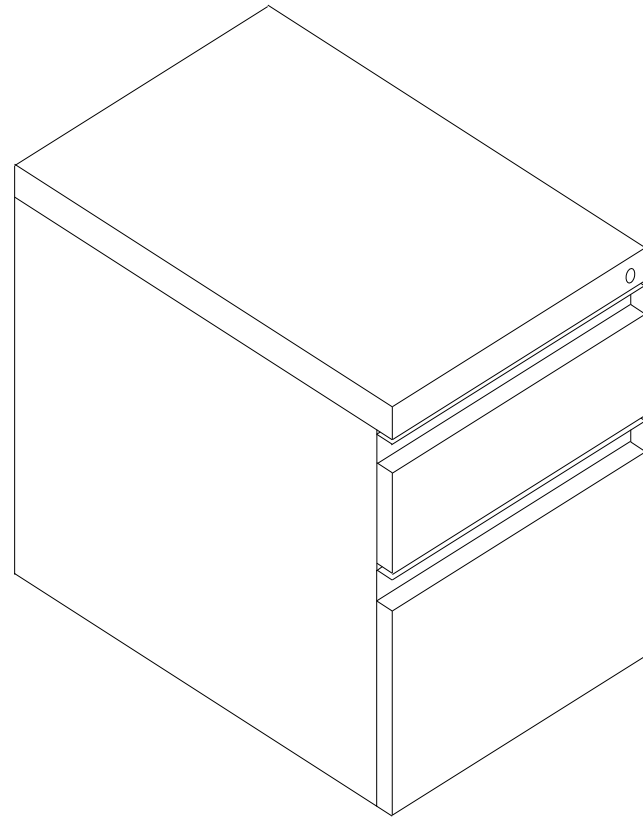
**S-Series Standard Pedestals** for assigned workstations with paper storage needs. Includes pencil tray, box drawer divider, file hanger, anti-tip counter weight, locking castors, full extension ball bearing glides and removable lock core. Optional square cushion tops available in Verve 10 colors.

View all finishes on page 14



---

# Slim Pedestal



12"W x 23"D x 19.7"H



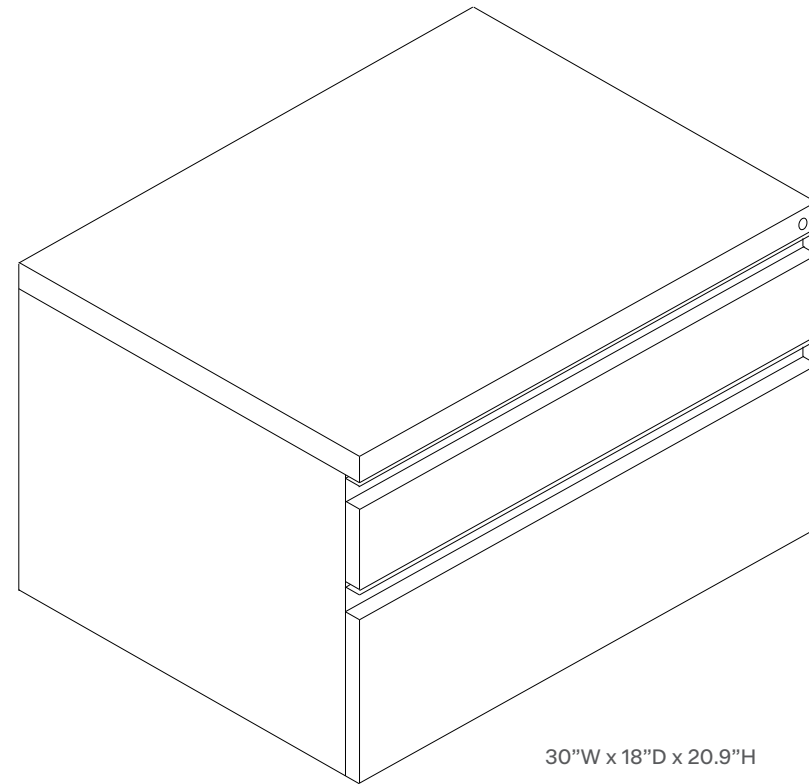
**S-Series Slim Pedestals** offer a sleeker silhouette for assigned workstations with paper storage needs. Includes pencil tray, box drawer divider, file hanger, anti-tip counter weight, locking castors, full extension ball bearing glides and removable lock core. Optional square cushion tops available in 10 Verve colors.

View all finishes on page 14



---

# Lateral Pedestal



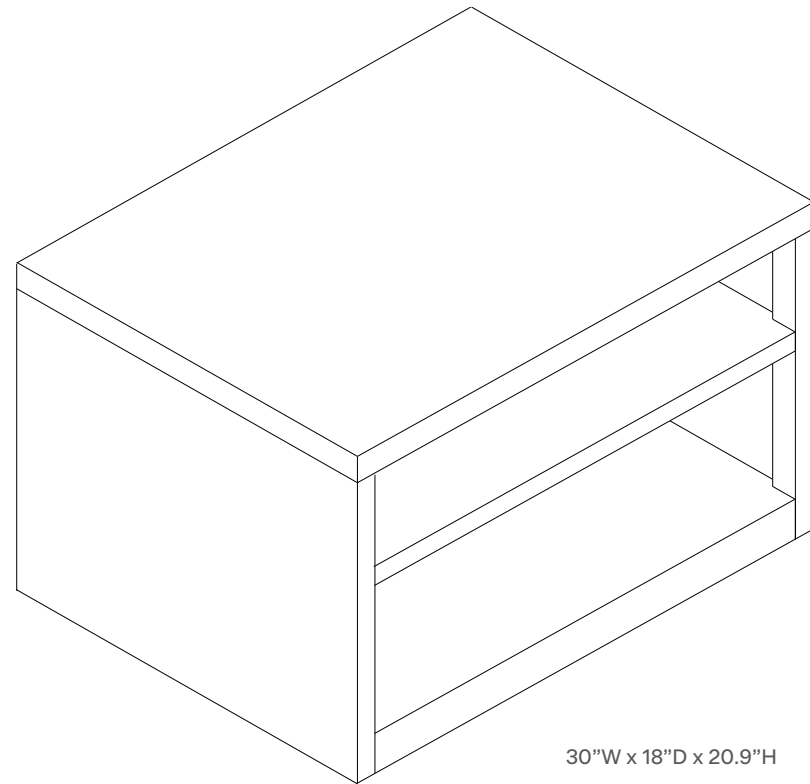
**S-Series Lateral File** offers greater breadth of storage when needed. Includes 12" bottom drawer and 4.8" top drawer, with optional castors available.

View all finishes on page 14



---

# Bookcase



30"W x 18"D x 20.9"H

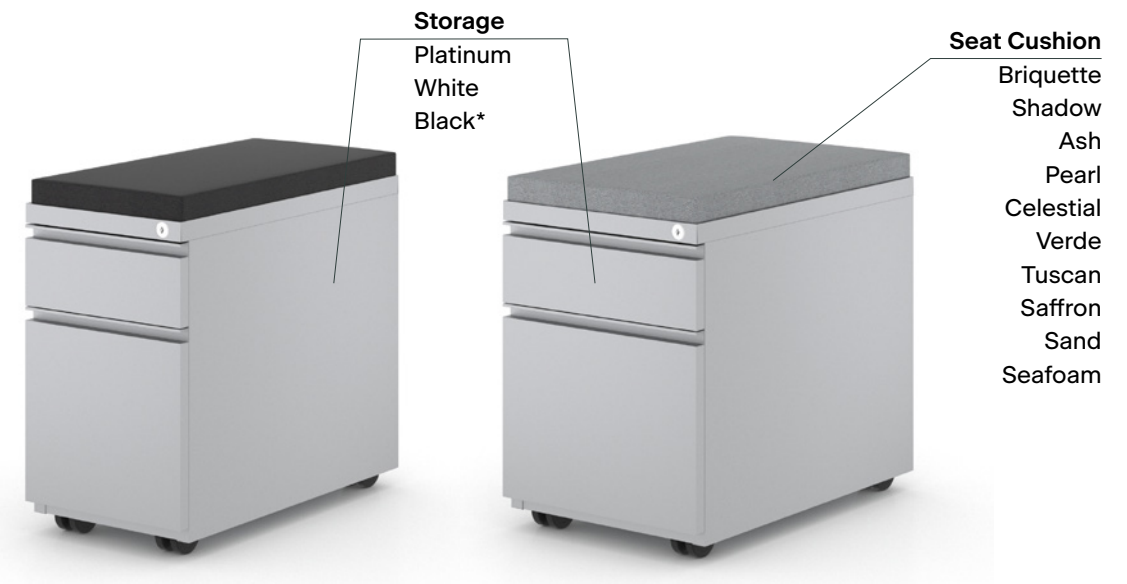
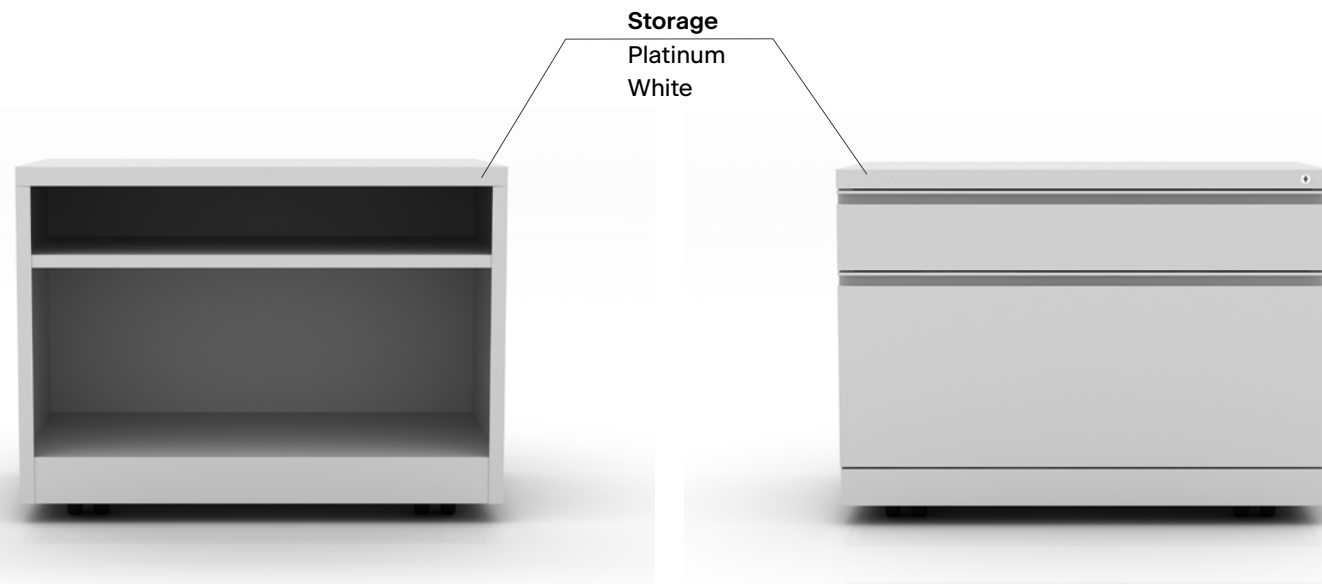
View all finishes on page 14



**S-Series Bookcase** offers the most accessible storage option for agile workplaces that incorporate shared/ touchdown workstations. It delivers an open storage solution that is seamless and functional. Includes adjustable shelf, with optional castors available.



# Finishes



- Seat Cushion**
- Briquette
  - Shadow
  - Ash
  - Pearl
  - Celestial
  - Verde
  - Tuscan
  - Saffron
  - Sand
  - Seafoam

\*Slim Pedestal only

## Metals



## Fabric Verve Collection



<b>Content</b>	100% Polyester
<b>Weight</b>	317g/m <sup>2</sup>
<b>Thickness</b>	0.96mm
<b>Width</b>	57 inches
<b>Flammability</b>	California Bulletin 117 Section E

**CARE & MAINTENANCE** Wipe with a damp cloth using water or gentle, nonabrasive cleaner. For guaranteed safety, patch test with diluted cleaner before wiping entire surface. Wipe dry with a clean cloth.  
**Cushion:** Wipe lightly with a damp soapy cloth. Rinse with cold water and wipe dry with a clean cloth.

Learn more at [amqsolutions.com/s-series](https://amqsolutions.com/s-series)



Bookcase and Lateral File in White



Bookcase and Lateral File in White, Slim and Standard Pedestals in platinum with Verde cushions

